

Key features

- 2 Way design – bass reflex
- 180 W RMS
- compression tweeter 110x110°
- 8" woofer
- MIC Input with volume control
- main tone controls HIGH – LOW
- active output for passive loudspeaker
- Available in passive version
- For P.A. use or stage monitor
- Finishing:
 - BLK (black rough laquered)
 - WOD (natural wood laquered)



General Description

MON-X is an active loudspeaker, with compact sizes, for the most versatile use.

It can be used in pairs, for live use in middle-small place, or singly as a stage monitor.

It is endowed with a MIC input with volume control and LINE inputs XLR and Jack 1/4.

Very useful are the main tone controls HIGH and LOW, that allows to personalize the sound answer of the speaker.

Also available in passive version for installations.

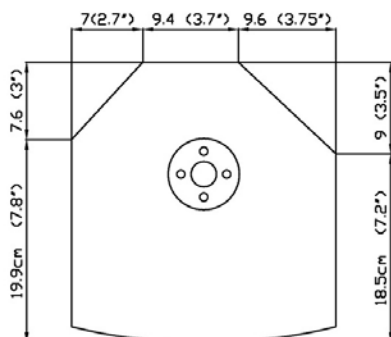
The flanges on the top and on the bottom can be replaced with special optional filleted flanges for the assembly on the wall stand.

40 mm-bored flange on the bottom, for the standard floor stand.

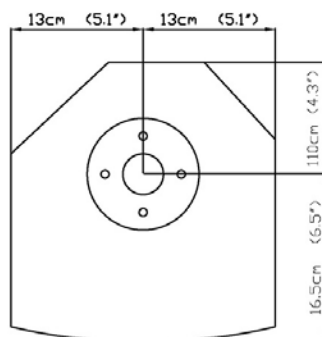
Technical Specifications

	MON-X
Frequency response	40Hz-20KHz
Sensitivity (1W-1m)	93db
SPL max	118 db
Crossover	Passive -18db/octave
System-format	2-way
Woofer	8" (SICA – Italy)
Horn	Compression Tweeter
Coverage angle (WxH)	110°x110°
Max Power Out	180 W RMS
Active Output Power	180 W 8 ohm
Connections	XLR (MIC In); Jack 6,3 (Line IN); XLR (Line IN)
	XLR (Direct Out); Speakon (Active Out)
Controls	MIC Vol, LINE Vol, HIGH, LOW,
	Ground Lift Switch
Box	Two-way bass reflex
Construction	Plywood
Weight	Kg 10 (22 lbs)
Dimensions (WxDxH)	26x27,5x37 cm (10x11x14,5 inch)
Floor stand	40 mm-bored flange on the bottom

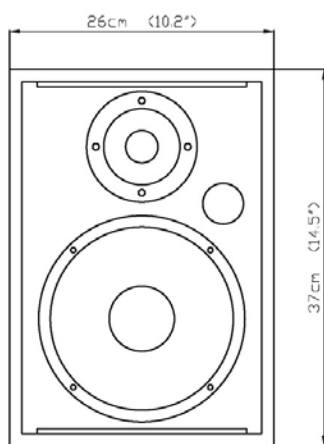
Dimension Drawings:



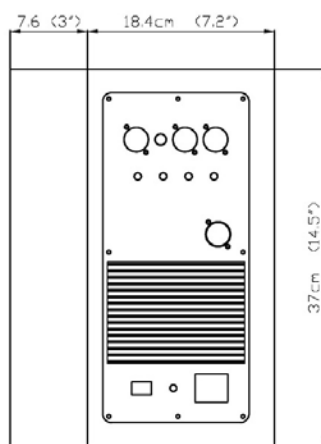
TOP VIEW



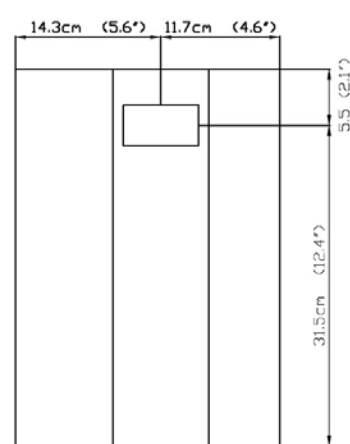
BOTTOM VIEW



FRONT VIEW



SIDE VIEW



REAR VIEW

Product codes:

0024500	MON-X	BLK	(Active speaker 180W RMS)
0024501	MON-X	WOD	(Active speaker 180W RMS)

MON-X



SR Technology srl – via Ceccaroni 1 – 62019 Recanati (MC) - Italy
tel. +39 071 757 3720 fax +39 071 757 7240
info@sr-tech.net www.sr-technology.com